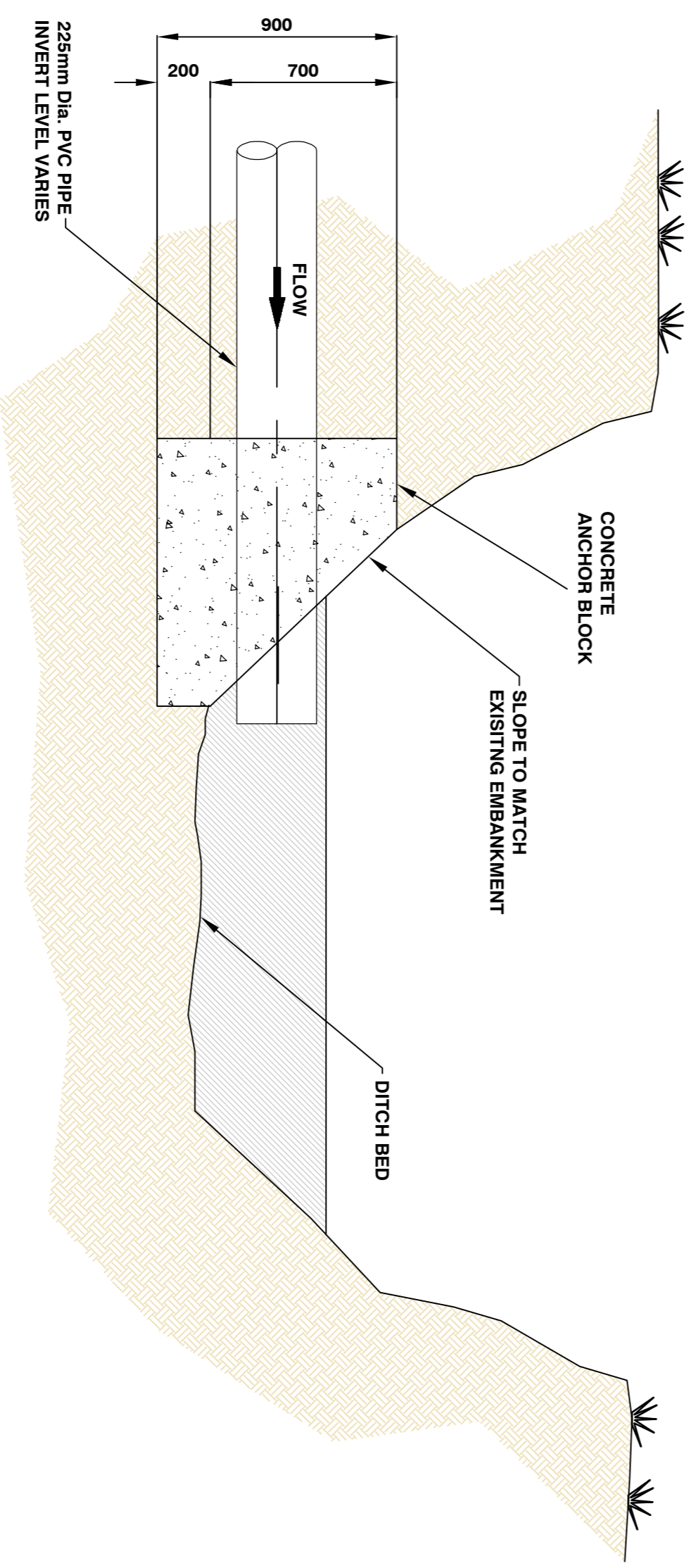
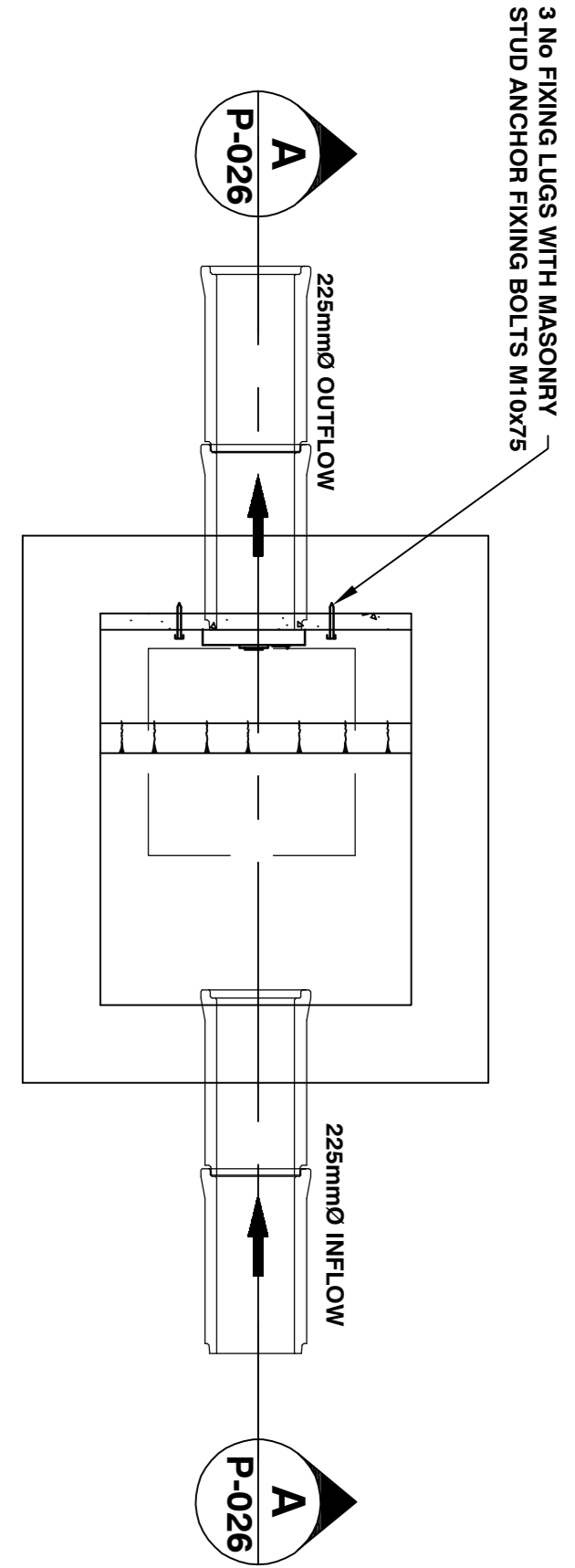


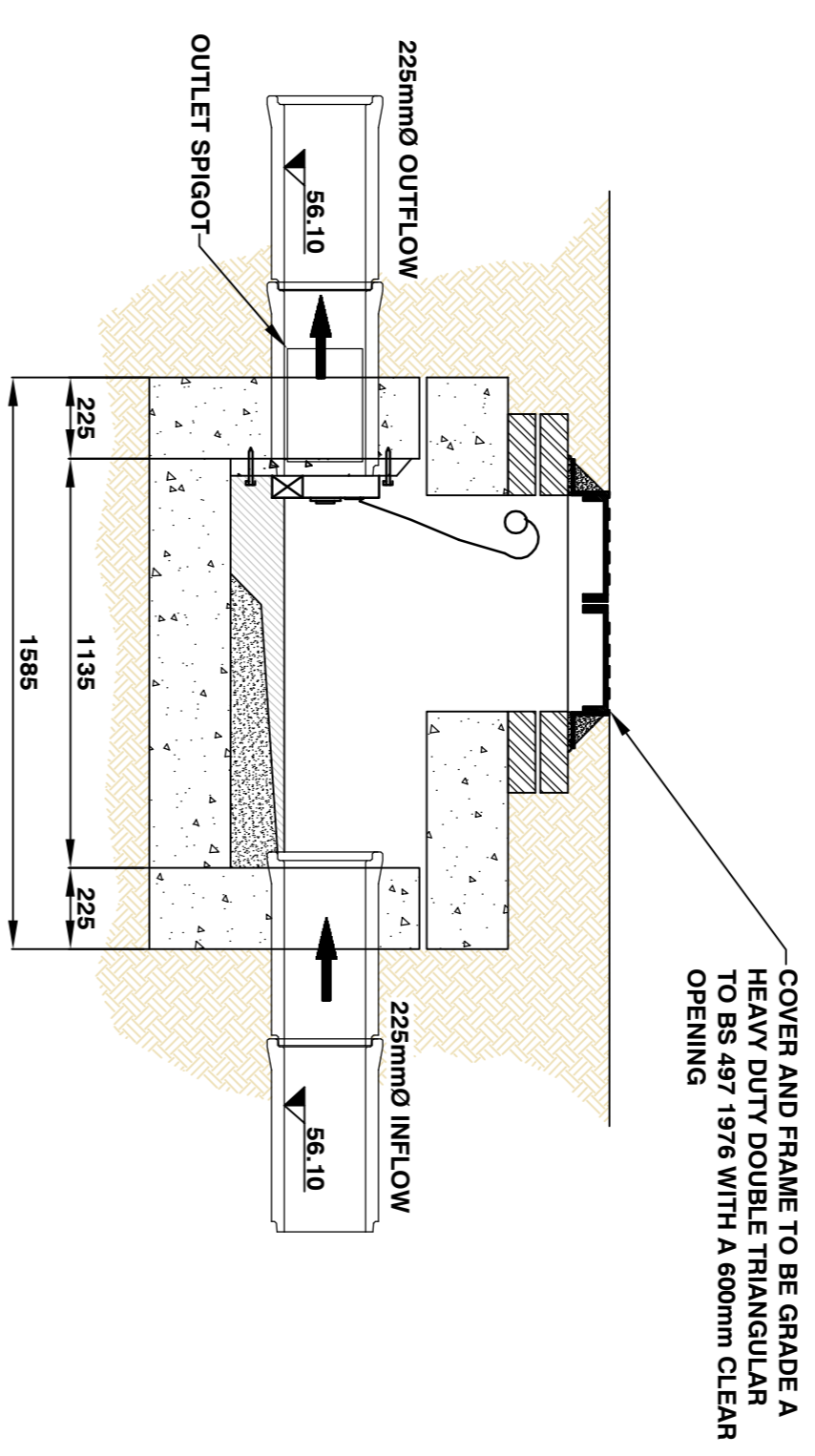
DETAIL A:- OUTLET HEADWALL



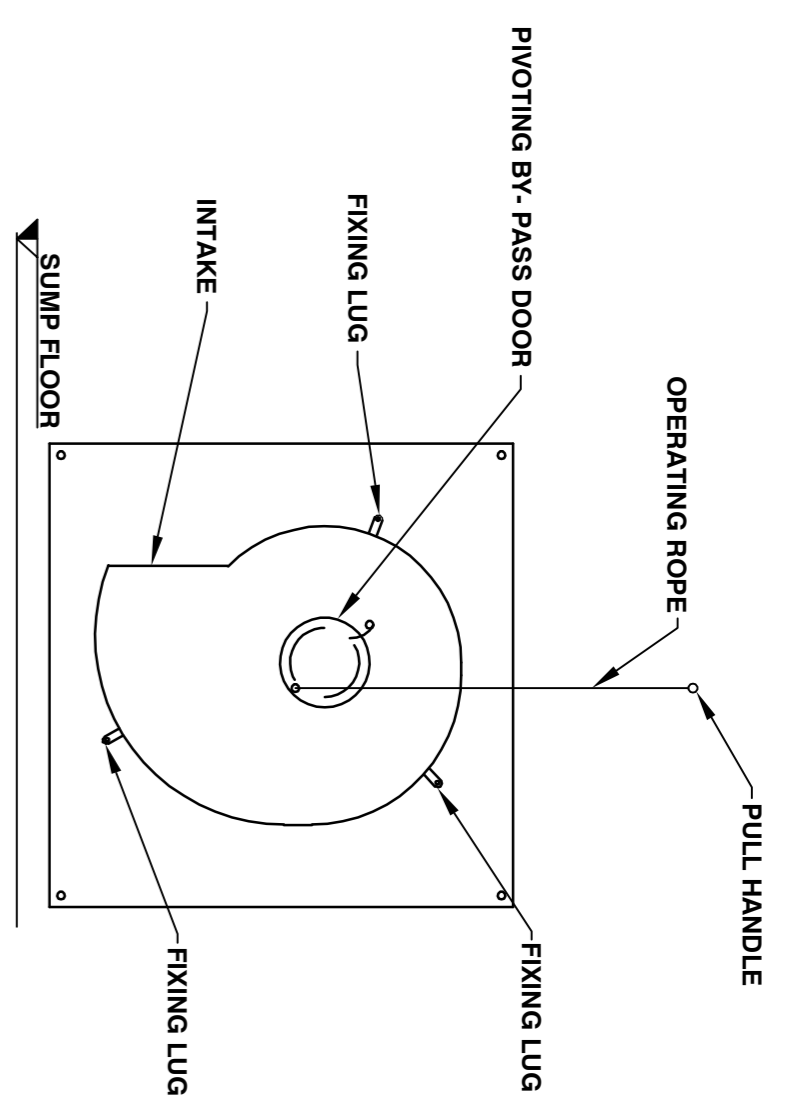
SECTIONAL B - B



**PLAN OF MANHOLE FLOW CONTROL
HYDRO BRAKE FLOW CONTROL**

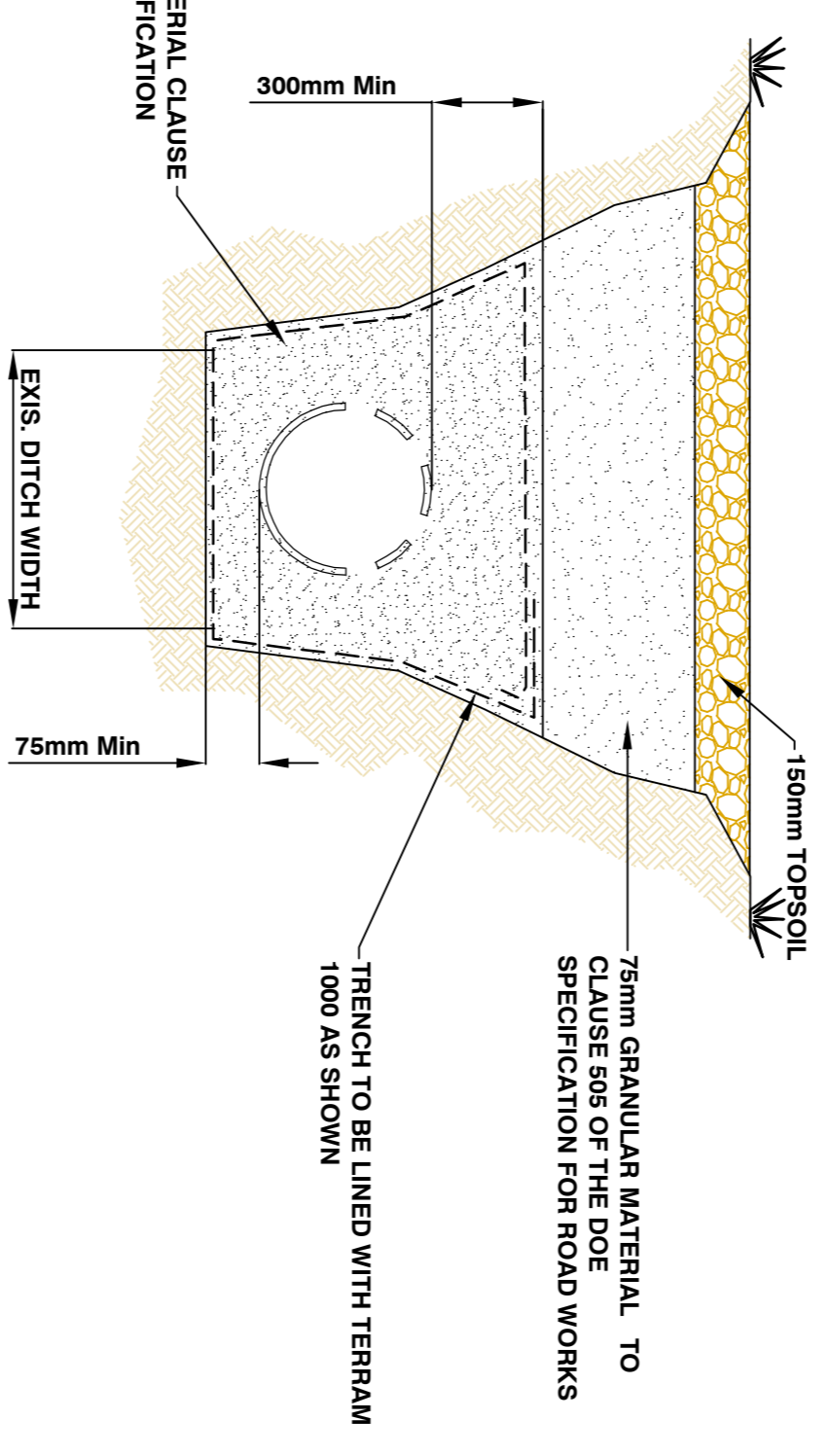


SECTION A - A

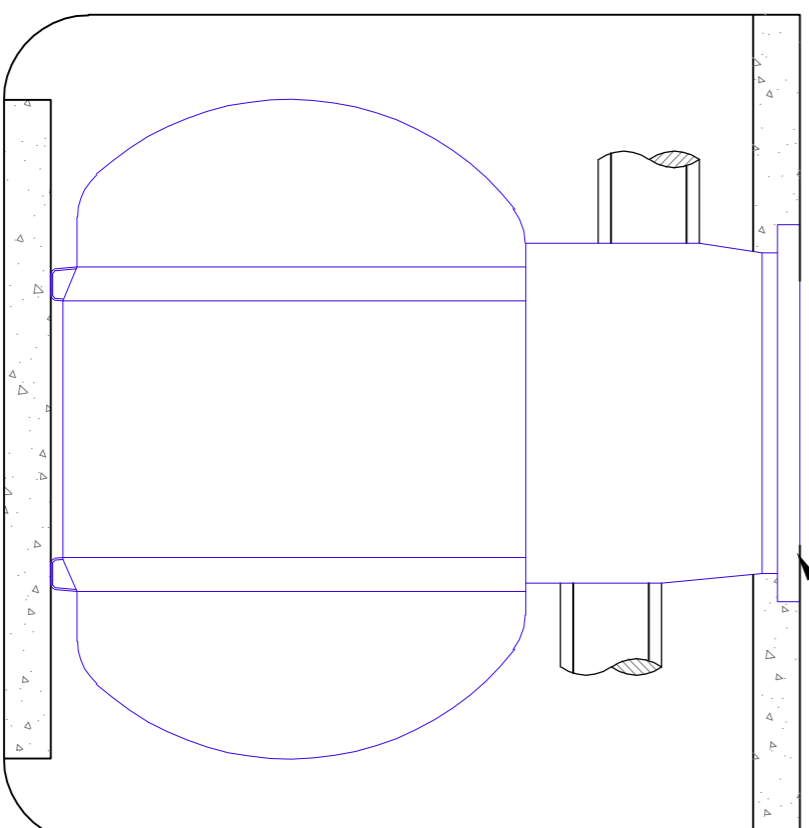


**FRONT VIEW OF HYDROBRAKE
(SHOWING ORIENTATION)**

NOTE: MILD STEEL PLATE ANCHORED TO THE CONCRETE WITH 4 No ANCHOR BOLTS.

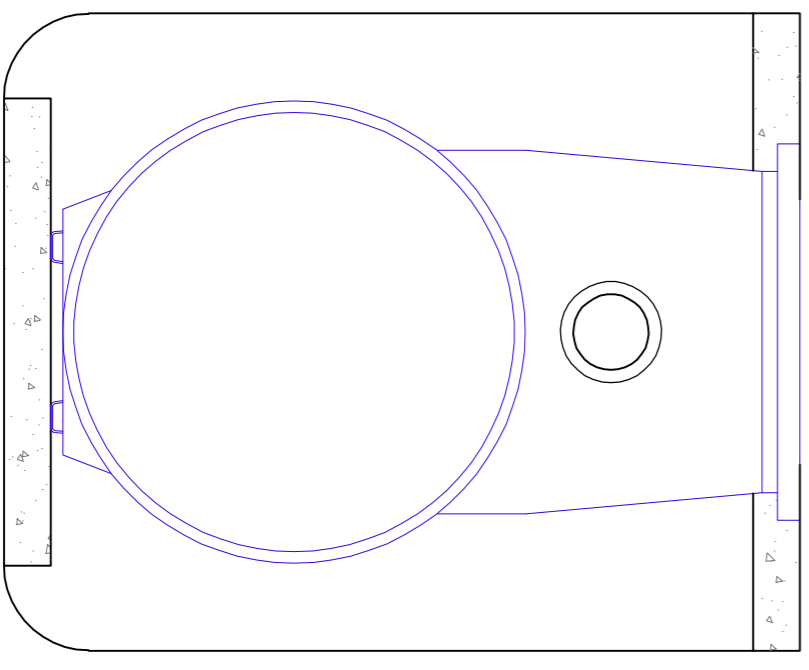


FILTER DRAIN BEDDING DETAIL



**KLARGESTER
PETROL INTERCEPTOR
PLAN VIEW**

KLARGESTER CLASS 1 BYPASS SEPARATOR INSTALLED TO MANUFACTURERS REQUIREMENTS.



**KLARGESTER
PETROL INTERCEPTOR
END VIEW**

**KLARGESTER
PETROL INTERCEPTOR
SIDE VIEW**

- NOTES:
1. DO NOT SCALE. USE FIGURED DIMENSIONS ONLY.
 2. THIS DRAWING IS TO BE READ IN CONJUNCTION WITH ALL OTHER RELEVANT ARCHITECTURAL AND ENGINEERING DRAWINGS.

REV.	DATE	AMENDMENT	DRN	APPD

**FOR PLANNING
NOT FOR CONSTRUCTION**

Waterman Moylan
Engineering Consultants

Block 3, Eastport Business Park, Agha Byrne Road, Dublin D08 H9R4
 Tel: +353 1 491 2222
 Email: info@watermanmoylan.ie www.waterman-moylan.ie

CLIENT: GERARD GANNON
 ARCHITECT: WILSON ARCHITECTURE
 PROJECT: QUICKPARK CAR PARK AT TURNAMIN GREAT, SWORDS ROAD

TITLE	SCALE	DATE
DRAINAGE CONSTRUCTION DETAILS SHEET 2 OF 2	AS SHOWN @ 1:1	SEPT 18

DESIGNED	APPROVED	DATE
PJD	MD	SEPT 18

JOB NO.	DRG NO.	REVISION
13-194	P028	